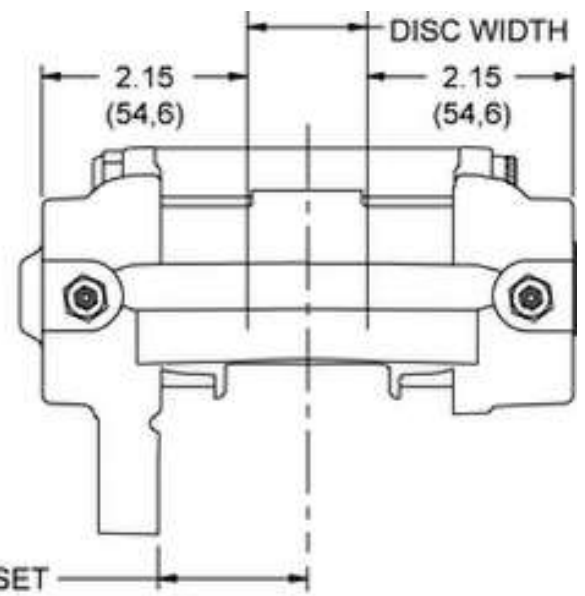


TOP OF FRICTION MATERIAL AND DISC O.D. TO BE FLUSH



DIMENSION "D1" = (DISC DIAMETER/2) - 2.85 (72,4)

INLET FITTING: 1/8-27 NPT

DISC DIAMETER	"A" BOLT CIRCLE RADIUS	"E" OUTSIDE RADIUS	DISC WIDTH	"B" MOUNT OFFSET
11.75 (298,5)	3.50 (88,9)	6.69 (169,9)	1.25 (31,8)	1.56 (39,6)
12.19 (309,6)	3.69 (93,7)	6.85 (174,0)	1.10 (27,9)	1.46 (37,1)
12.72 (323,1)	3.92 (99,6)	7.05 (179,1)	.81 (20,6)	1.34 (34,0)
12.88 (327,2)	4.00 (101,6)	7.12 (180,8)		
13.00 (330,2)	4.05 (102,9)	7.18 (182,4)		